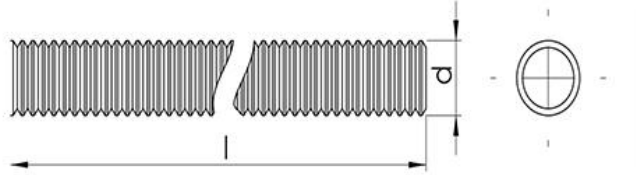
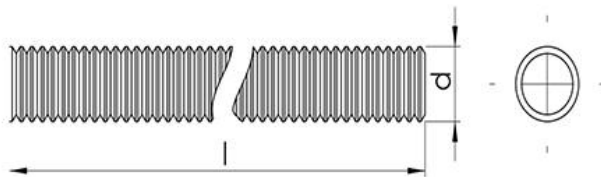


**DIN 975 THREADED RODS****Quality:** 4.8 / 5.6 / 5.8 / 6.8 / 8.8 / 10.9 / 12.9 / Stainless**Coating Type:** Zinc Plated / Hot Dip Galvanized / Geomet / Black Oxide

d	l
M10 - M200	1000 - 4000 mm

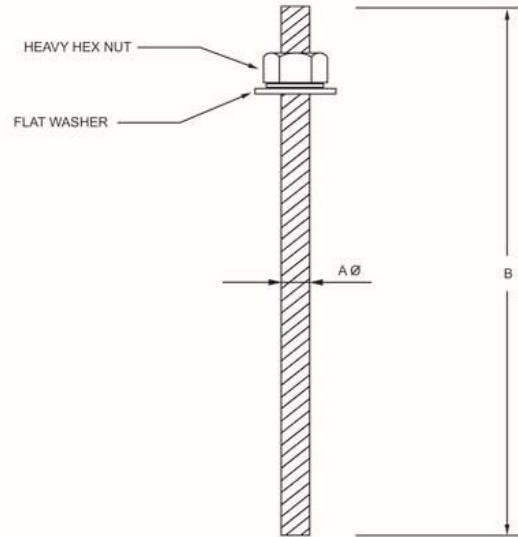
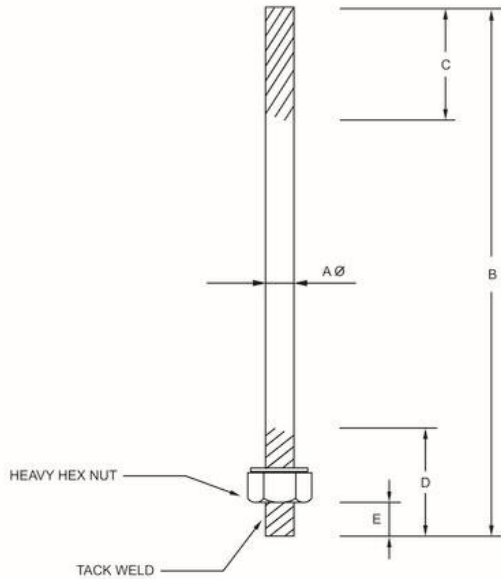
**DIN 976 THREADED RODS****Quality:** 4.8 / 5.6 / 5.8 / 6.8 / 8.8 / 10.9 / 12.9 / Stainless**Coating Type:** Zinc Plated / Hot Dip Galvanized / Geomet / Black Oxide

d	l
M10 - M200	1000 - 4000 mm

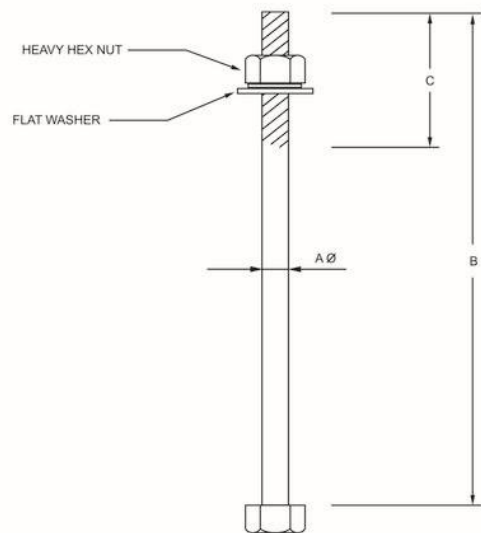
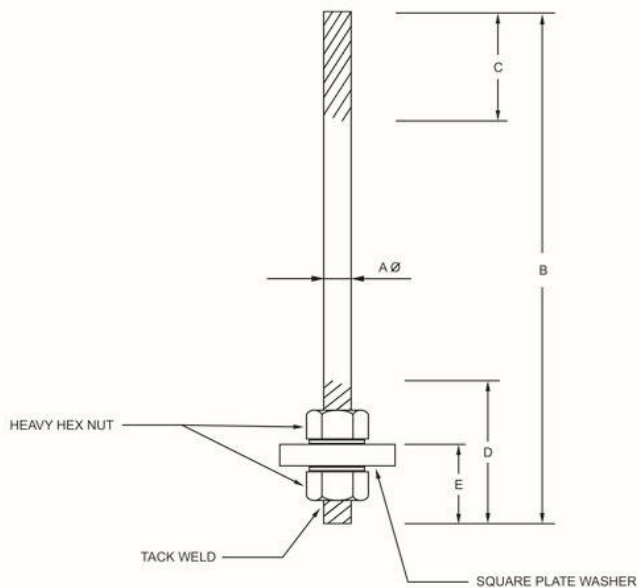
## Stud Bolts Special Production

Quality: 4.8 / 5.6 / 5.8 / 6.8 / 8.8 / 10.9 / 12.9 / Stainless

Coating Type: Zinc Plated / Hot Dip Galvanized / Geomet / Black Oxide



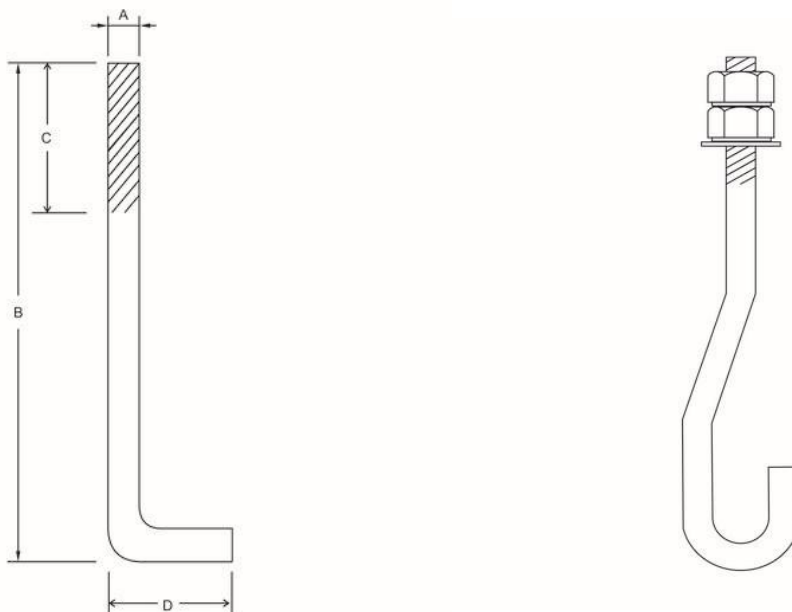
Diameter of stud bolts	B
M10 - M200	1000 - 4000 mm



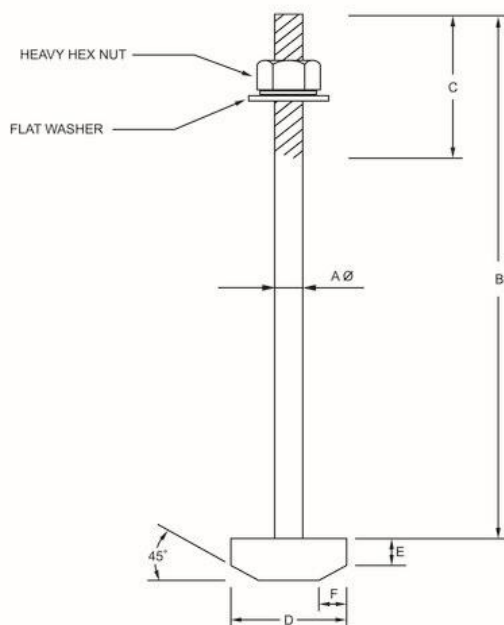
## Anchor Bolts Special Production

**Quality:** 4.8 / 5.6 / 5.8 / 6.8 / 8.8 / 10.9 / 12.9 / Stainless

**Coating Type:** Zinc Plated / Hot Dip Galvanized / Geomet / Black Oxide



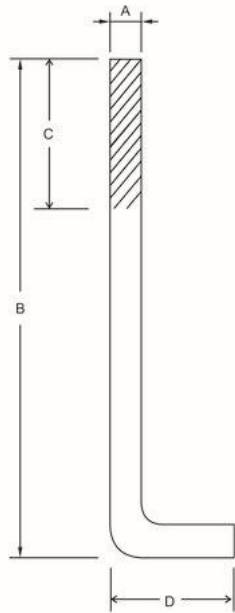
Diameter of anchor bolts	B
M10 - M200	1000 - 4000 mm



## Anchor Bolts Special Production

Quality: 4.8 / 5.6 / 5.8 / 6.8 / 8.8 / 10.9 / 12.9 / Stainless

Coating Type: Zinc Plated / Hot Dip Galvanized / Geomet / Black Oxide



Diameter of anchor bolts	B
M10 - M200	1000 - 4000 mm

