

DIN 125 ISO 7089 UNI 6592 Plain Flat Washers

DIN 125 ISO 7089 UNI 6592 Unterlegscheiben

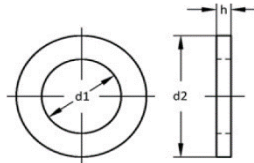
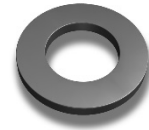
DIN 125 ISO 7089 UNI 6592 Rondelles Plate

DIN 125 ISO 7089 UNI 6592 Rondella Piana

DIN 125 ISO 7089 UNI 6592 Arandelas Planas

Quality: 100 HV / 200 HV / 300 HV / 400 HV / 500 HV

Coating Type: Zinc Plated / Hot Dip Galvanized / Geomet / Black Oxide



Size	D1	D2	H	WEIGHT KG /1000 PCS
M5	5.3	10	1	0.44
M6	6.4	12.5	1.6	1.14
M8	8.4	17	1.6	2.14
M10	10.5	21	2	4.08
M12	13	24	2.5	6.27
M14	15	28	2.5	8.6
M16	17	30	3	11.3
M18	19	34	3	14.7
M20	21	37	3	17.2
M22	23	39	3	18.4
M24	25	44	4	32.3
M27	28	50	4	42.8
M30	31	56	4	53.6
M33	34	60	5	75.4
M36	37	66	5	92
M39	40	72	6	133
M42	43	78	7	183
M45	46	85	7	220
M48	50	92	8	294
M52	54	98	8	330
M56	58	105	9	425
M58	60	110	9	472
M60	66	110	9	458
M64	65	115	9	492
M72	74	125	10	625

Intenfa Group Limited Company

[www.intenfa.com](http://www.intenfa.com)[info@intenfa.com](mailto:info@intenfa.com)

INTENFA GmbH

[www.intenfa.de](http://www.intenfa.de)[info@intenfa.de](mailto:info@intenfa.de)

INTENFA UK LIMITED

[www.intenfa.co.uk](http://www.intenfa.co.uk)[sales@intenfa.co.uk](mailto:sales@intenfa.co.uk)

INTENFA ED S.R.L.

[www.intenfa.com](http://www.intenfa.com)[romania@intenfa.com](mailto:romania@intenfa.com)

DIN 126 ISO 7091 UNI 6593 Plain Flat Washers

DIN 126 ISO 7091 UNI 6593 Unterlegscheiben

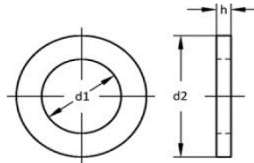
DIN 126 ISO 7091 UNI 6593 Rondelles Plate

DIN 126 ISO 7091 UNI 6593 Rondella Piana

DIN 126 ISO 7091 UNI 6593 Arandelas Planas

Quality: 100 HV / 200 HV / 300 HV / 400 HV / 500 HV

Coating Type: Zinc Plated / Hot Dip Galvanized / Geomet / Black Oxide



Size	D1	D2	H	WEIGHT KG /1000 PCS
M5	5.5	10	1	0.443
M6	6.6	12	1.6	1.02
M8	8	16	1.6	1.83
M10	11	20	2	3.57
M12	13.5	24	2.5	6.27
M14	15.5	28	2.5	8.62
M16	17.5	30	3	11.3
M18	19.5	34	3	14.7
M20	22	37	3	17.2
M22	24	39	3	18.3
M24	26	44	4	32.3
M27	30	50	4	42.3
M30	33	56	4	53.6
M33	36	60	5	75.3
M36	39	66	5	92.1
M39	42	72	6	133
M42	45	78	7	183
M45	48	85	7	220
M48	52	92	8	294
M52	56	98	8	330
M56	62	105	9	425
M58	64	110	9	472
M60	66	110	9	458
M64	70	115	9	492
M72	78	125	10	626

Intenfa Group Limited Company

[www.intenfa.com](http://www.intenfa.com)[info@intenfa.com](mailto:info@intenfa.com)

INTENFA GmbH

[www.intenfa.de](http://www.intenfa.de)[info@intenfa.de](mailto:info@intenfa.de)

INTENFA UK LIMITED

[www.intenfa.co.uk](http://www.intenfa.co.uk)[sales@intenfa.co.uk](mailto:sales@intenfa.co.uk)

INTENFA ED S.R.L.

[www.intenfa.com](http://www.intenfa.com)[romania@intenfa.com](mailto:romania@intenfa.com)

DIN 6916 EN 14399-6 UNI 5714 Structural Washer

DIN 6916 EN 14399-6 UNI 5714 Unterlegscheiben

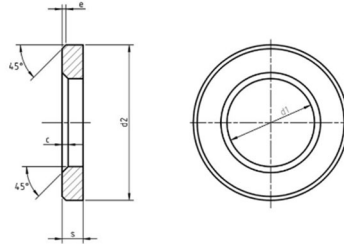
DIN 6916 EN 14399-6 UNI 5714 Rondelles Plate

DIN 6916 EN 14399-6 UNI 5714 Rondella Piana

DIN 6916 EN 14399-6 UNI 5714 Arandelas Planas

Quality: 300 HV / 400 HV / 500 HV

Coating Type: Zinc Plated / Hot Dip Galvanized / Geomet / Black Oxide



Size	D1	D2	S	E	WEIGHT KG /1000 PCS
M12	13	24	3	0,5	7.03
M16	17	30	4	1	14.6
M20	21	37	4	1	19.6
M22	23	39	4	1	24.3
M24	25	44	4	1	30.6
M27	28	50	5	1	50.2
M30	31	56	5	1	63.2
M36	37	66	6	1.5	115
M39	40.4	72	6	1.5	130.5
M42	43.4	78	8	2.25	207.1
M45	46.4	85	8	2.25	250.15
M48	49.4	92	8	2.25	294.17
M56	58	105	10	3	472.14
M64	66	115	10	3	547.2

Intenfa Group Limited Company

[www.intenfa.com](http://www.intenfa.com)[info@intenfa.com](mailto:info@intenfa.com)

INTENFA GmbH

[www.intenfa.de](http://www.intenfa.de)[info@intenfa.de](mailto:info@intenfa.de)

INTENFA UK LIMITED

[www.intenfa.co.uk](http://www.intenfa.co.uk)[sales@intenfa.co.uk](mailto:sales@intenfa.co.uk)

INTENFA ED S.R.L.

[www.intenfa.com](http://www.intenfa.com)[romania@intenfa.com](mailto:romania@intenfa.com)

DIN 127 UNI 1751 Spring Washer

DIN 127 UNI 1751 Federringe

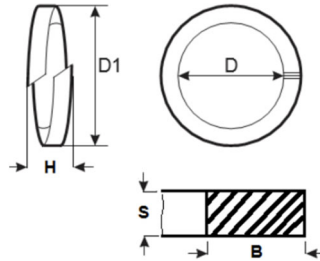
DIN 127 UNI 1751 Rondelles

DIN 127 UNI 1751 Rondella

DIN 127 UNI 1751 Arandelas

Quality: 100 HV / 200 HV / 300 HV / 400 HV / 500 HV

Coating Type: Zinc Plated / Hot Dip Galvanized / Geomet / Black Oxide



Nominal Diameter	D min.	D max.	D1 max.	B	S	H min.	H max.	WEIGHT KG /1000 PCS
M4	4.1	4.4	7.6	1.5 ± 0.1	0.9 ± 0.1	1.8	2.1	0.18
M5	5.1	5.4	9.2	1.8 ± 0.1	1.2 ± 0.1	2.4	2.8	0.36
M6	6.4	6.5	11.8	2.5 ± 0.15	1.6 ± 0.1	3.2	3.8	0.83
M7	7.1	7.5	12.8	2.5 ± 0.15	1.6 ± 0.1	3.2	3.8	0.93
M8	8.1	8.5	14.8	3 ± 0.15	2 ± 0.1	4	4.7	1.6
M10	10.2	10.7	18.1	3.5 ± 0.2	2.2 ± 0.15	4.4	5.2	2.53
M12	12.2	12.7	21.1	4 ± 0.2	2.5 ± 0.15	5	5.9	3.82
M14	14.2	14.7	24.1	4.5 ± 0.2	3 ± 0.15	6	7.1	6.01
M16	16.2	17	27.4	5 ± 0.2	3.5 ± 0.2	7	8.3	8.91
M18	18.2	19	29.4	5 ± 0.2	3.5 ± 0.2	7	8.3	9.73
M20	20.2	21.2	33.6	6 ± 0.2	4 ± 0.2	8	9.4	15.2
M22	22.5	23.5	35.9	6 ± 0.2	4 ± 0.2	8	9.4	16.5
M24	24.5	25.5	40	7 ± 0.25	5 ± 0.2	10	11.8	26.2
M27	27.5	28.5	43	7 ± 0.25	5 ± 0.2	10	11.8	28.7
M30	30.5	31.7	48.2	8 ± 0.25	6 ± 0.2	12	14.2	44.3
M36	36.5	37.7	58.2	10 ± 0.25	6 ± 0.2	12	14.2	67.3
M39	39.5	40.7	61.2	10 ± 0.25	6 ± 0.2	12	14.2	71.7
M42	42.5	43.7	66.2	12 ± 0.25	7 ± 0.25	14	16.5	111
M45	45.5	46.7	71.2	12 ± 0.25	7 ± 0.25	14	16.5	117
M48	49	50.6	75	12 ± 0.25	7 ± 0.25	14	16.5	123
M52	53	54.6	83	14 ± 0.25	8 ± 0.25	16	18.9	162
M56	57	58.5	87	14 ± 0.25	8 ± 0.25	16	18.9	193
M60	61	62.5	91	14 ± 0.25	8 ± 0.25	16	18.9	203
M64	65	66.5	95	14 ± 0.25	8 ± 0.25	16	18.9	218
M68	69	70.5	99	14 ± 0.25	8 ± 0.25	16	18.9	228
M72	73	74.5	103	14 ± 0.25	8 ± 0.25	16	18.9	240

Intenfa Group Limited Company

www.intenfa.com

info@intenfa.com

INTENFA GmbH

www.intenfa.de

info@intenfa.de

INTENFA UK LIMITED

www.intenfa.co.uk

sales@intenfa.co.uk

INTENFA ED S.R.L.

www.intenfa.com

romania@intenfa.com

**DIN 7989 Washer**

**DIN 7989 Unterlegscheiben**

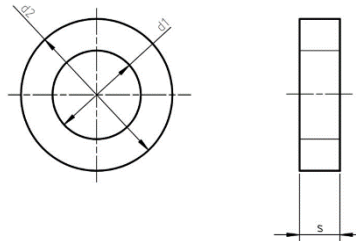
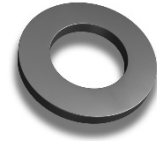
**DIN 7989 Rondelles Plate**

**DIN 7989 Rondella Piana**

**DIN 7989 Arandelas Planas**

**Quality: 100 HV / 200 HV / 300 HV / 400 HV / 500 HV**

**Coating Type: Zinc Plated / Hot Dip Galvanized / Geomet / Black Oxide**



for Thread	M10	M12	M16	M20	M24	M27	M30	M33	M36
<b>D1 min.</b>	11	13.5	17.5	22	26	30	33		
<b>D1 max.</b>	11.43	13.93	17.93	22.52	26.52	30.52	33.62	36	39
<b>D2 min.</b>	20	24	30	37	44	50	56		
<b>D2 max.</b>	19.16	23.16	29.16	36	43	49	54.8	60	66
<b>S ±1</b>	8	8	8	8	8	8	8	8	8
<b>WEIGHT KG /1000 PCS</b>	13.8	19.4	29.3	42.7	62.1	78.9	101	114	140

Intenfa Group Limited Company

[www.intenfa.com](http://www.intenfa.com)

[info@intenfa.com](mailto:info@intenfa.com)

INTENFA GmbH

[www.intenfa.de](http://www.intenfa.de)

[info@intenfa.de](mailto:info@intenfa.de)

INTENFA UK LIMITED

[www.intenfa.co.uk](http://www.intenfa.co.uk)

[sales@intenfa.co.uk](mailto:sales@intenfa.co.uk)

INTENFA ED S.R.L.

[www.intenfa.com](http://www.intenfa.com)

[romania@intenfa.com](mailto:romania@intenfa.com)

DIN 433 ISO 7092 UNI 6592 Washer

DIN 433 ISO 7092 UNI 6592 Unterlegscheiben

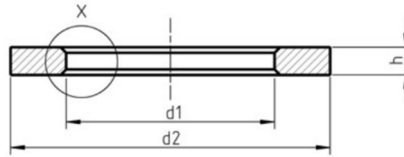
DIN 433 ISO 7092 UNI 6592 Rondelles Plate

DIN 433 ISO 7092 UNI 6592 Rondella Piana

DIN 433 ISO 7092 UNI 6592 Arandelas Planas

Quality: 100 HV / 200 HV / 300 HV / 400 HV / 500 HV

Coating Type: Zinc Plated / Hot Dip Galvanized / Geomet / Black Oxide



For Thread	Nominal size	D1		D2		H		WEIGHT KG / 1000 PCS	
		min.	max.	max.	min.	Nominal size	max.		min.
<b>M4</b>	4.3	4.3	4.48	8	7.64	0.5	0.55	0.45	0.14
<b>M5</b>	5.3	5.3	5.48	9	8.64	1	1.1	0.9	0.32
<b>M6</b>	6.4	6.4	6.62	11	10.57	1.6	1.8	1.4	0.79
<b>M8</b>	8.4	8.4	8.62	15	14.57	1.6	1.8	1.4	1.52
<b>M10</b>	10.5	10.5	10.77	18	17.57	1.6	1.8	1.4	2.11
<b>M12</b>	13	13	13.27	20	19.48	2	2.2	1.8	2.65
<b>M14</b>	15	15	15.27	24	23.48	2.5	2.7	2.3	5.41
<b>M16</b>	17	17	17.27	28	27.48	2.5	2.7	2.3	7.63
<b>M18</b>	19	19	19.33	30	29.48	2.5	2.7	2.3	8.31
<b>M20</b>	21	21	21.33	34	33.38	3	3.3	2.7	13.2
<b>M24</b>	25	25	25.33	39	39.38	4	4.3	3.7	22.1
<b>M30</b>	31	31	31.39	50	49.38	4	4.3	3.7	38
<b>M36</b>	37	37	37.62	58	56.8	5	5.6	4.4	61.5

Intenfa Group Limited Company

[www.intenfa.com](http://www.intenfa.com)

[info@intenfa.com](mailto:info@intenfa.com)

INTENFA GmbH

[www.intenfa.de](http://www.intenfa.de)

[info@intenfa.de](mailto:info@intenfa.de)

INTENFA UK LIMITED

[www.intenfa.co.uk](http://www.intenfa.co.uk)

[sales@intenfa.co.uk](mailto:sales@intenfa.co.uk)

INTENFA ED S.R.L.

[www.intenfa.com](http://www.intenfa.com)

[romania@intenfa.com](mailto:romania@intenfa.com)

**DIN 434 UNI 6598 Washer**

**DIN 434 UNI 6598 Scheiben**

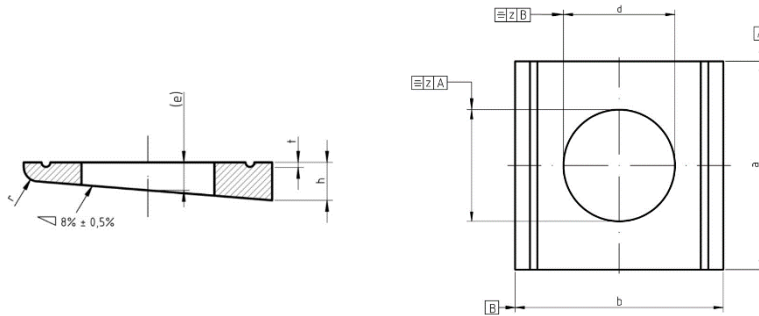
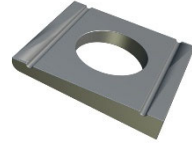
**DIN 434 UNI 6598 Rondelles**

**DIN 434 UNI 6598 Rondella**

**DIN 434 UNI 6598 Arandelas**

**Quality: 100 HV / 200 HV / 300 HV / 400 HV / 500 HV**

**Coating Type: Zinc Plated / Hot Dip Galvanized / Geomet / Black Oxide**



Nominal size	thread	d min.	d max.	a nominal size	a min.	a max.	b nominal size	b min.	b max.	e	h nominal size	h min.	h max.	r approx.	t approx.	z	weight kg/1000pcs
9	M8	9	9.36	22	20	24	22	21.4	22.7	2.9	3.8	3.2	4.4	1.6	0.5	1.68	9.5 7
11	M10	11	11.43	22	20	24	22	21.4	22.7	2.9	3.8	3.2	4.4	1.6	0.5	1.68	8.8 5
13.5	M12	13.5	13.93	26	24	28	30	29.4	30.7	3.7	4.9	3.9	5.9	2	0.7	1.68	18. 2
17.5	M16	17.5	17.93	32	29.5	34.5	36	35.2	36.8	4.45	5.9	4.9	6.9	2.4	0.8	2	31. 4
22	M20	22	22.52	40	37.5	42.5	44	43.2	44.8	5.25	7	6	8	2.8	0.9	2	56. 9
24	M22	24	24.52	44	41.5	46.5	50	49.2	50.8	6	8	7	9	3.2	1	2	82. 3
26	M24	26	26.52	56	53	59	56	55.1	57	6.26	8.5	7.3	9.7	3.2	1	3.8	12. 8
30	M27	30	30.52	56	53	59	56	55.1	57	6.26	8.5	7.3	9.7	3.2	1	3.8	11. 9

Intenfa Group Limited Company

[www.intenfa.com](http://www.intenfa.com)

[info@intenfa.com](mailto:info@intenfa.com)

INTENFA GmbH

[www.intenfa.de](http://www.intenfa.de)

[info@intenfa.de](mailto:info@intenfa.de)

INTENFA UK LIMITED

[www.intenfa.co.uk](http://www.intenfa.co.uk)

[sales@intenfa.co.uk](mailto:sales@intenfa.co.uk)

INTENFA ED S.R.L.

[www.intenfa.com](http://www.intenfa.com)

[romania@intenfa.com](mailto:romania@intenfa.com)

DIN 435 UNI 5717 Washer

DIN 435 UNI 5717 Scheiben

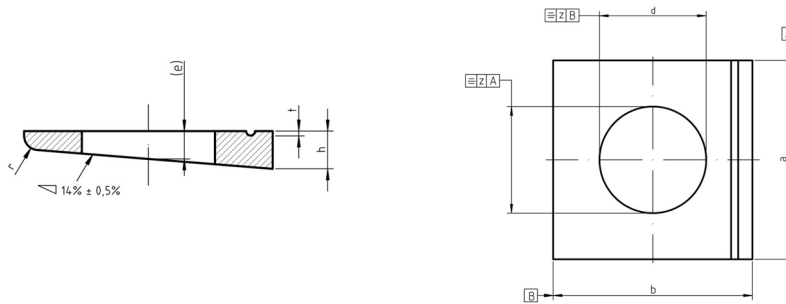
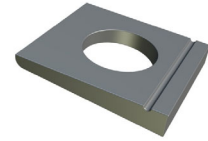
DIN 435 UNI 5717 Rondelles

DIN 435 UNI 5717 Rondella

DIN 435 UNI 5717 Arandelas

Quality: 100 HV / 200 HV / 300 HV / 400 HV / 500 HV

Coating Type: Zinc Plated / Hot Dip Galvanized / Geomet / Black Oxide



Nominal size (d)	thread size	a	b	e auxiliary dimension	h			r approx.	t approx.	Weight kg/1000pcs
					Nominal size	mi n.	max.			
9	M8	22	22	3.05	4.6	3.6	5.6	1.2	0.5	10.2
11.5	M10	22	22	3.05	4.6	3.6	5.6	1.2	0.5	9.4
13.5	M12	26	30	4.1	6.2	5	7.4	1.6	0.7	20.1
17	M16	32	36	5	7.5	6.3	8.7	2	0.8	35.6
22	M20	36	40	6.1	9.2	8	10.4	2.4	0.9	67
24	M22	40	44	6.5	10	8.8	11.2	2.4	1	90
26	M24	56	56	6.9	10.8	9.3	12.3	2.4	1	143
28	M27	6.9			10.8	9.3	12.3	2.4	1	133

Intenfa Group Limited Company

[www.intenfa.com](http://www.intenfa.com)

[info@intenfa.com](mailto:info@intenfa.com)

INTENFA GmbH

[www.intenfa.de](http://www.intenfa.de)

[info@intenfa.de](mailto:info@intenfa.de)

INTENFA UK LIMITED

[www.intenfa.co.uk](http://www.intenfa.co.uk)

[sales@intenfa.co.uk](mailto:sales@intenfa.co.uk)

INTENFA ED S.R.L.

[www.intenfa.com](http://www.intenfa.com)

[romania@intenfa.com](mailto:romania@intenfa.com)